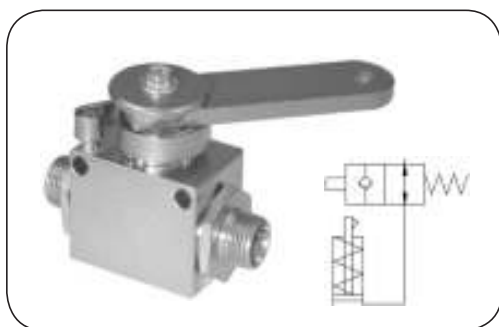


REROSA-HYDRAULIKA, s.r.o.

Typ/Type Ventil HBKH omezení zdvihu

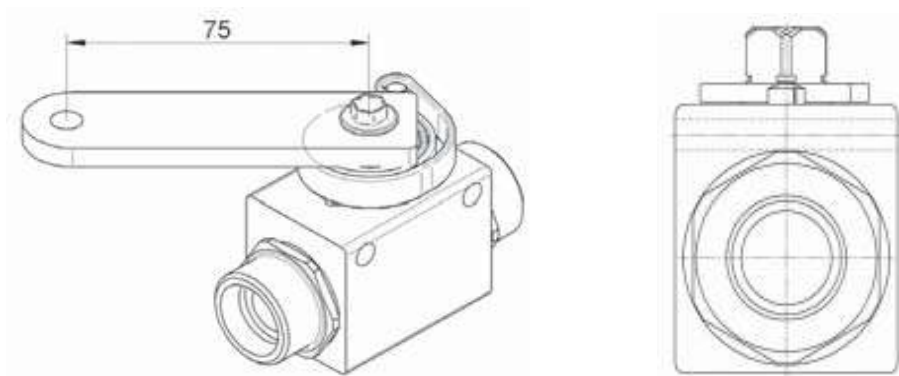


Operation

The working stroke of a hydraulic cylinder can be determined by mounting a stroke limiter in the system. In the starting position, the HBKH is open. The cable attached to the cylinder rod and to the valve handle operates the handle when stretched. The resulting movement turns the T-ball with the stem into the closed position, thus interrupting the flow. The cylinder rod stays in the original position. After closing the idle running at the separate control valve, the upstream side of the HBKH is depressurised. The pressure is transferred downstream operating the free moving ball, and pass through its T-port design. The cylinder then retracts and the spiral spring relaxes, returning the ball and stem to the original position.

Material:	Body - steel
	Ball - steel
Seals:	Stem - steel
	Ball - POM
Working temp.:	Stem - NBR
	From -30°C up to +100°C

Special 2-way ball valve with male metric thread. Used in hydraulic systems as a stroke limitation on hydraulic actuators.



code	DN [mm]	thread size [mm]	distance between assembly holes [mm]	assembly holes diameter [mm]	working pressure [bar]
HZ-HBKH-12L-B	13	M18x1.5	37,5	6,5	500
HZ-HBKH-15L-B	13	M22x1.5	37,5	6,5	500