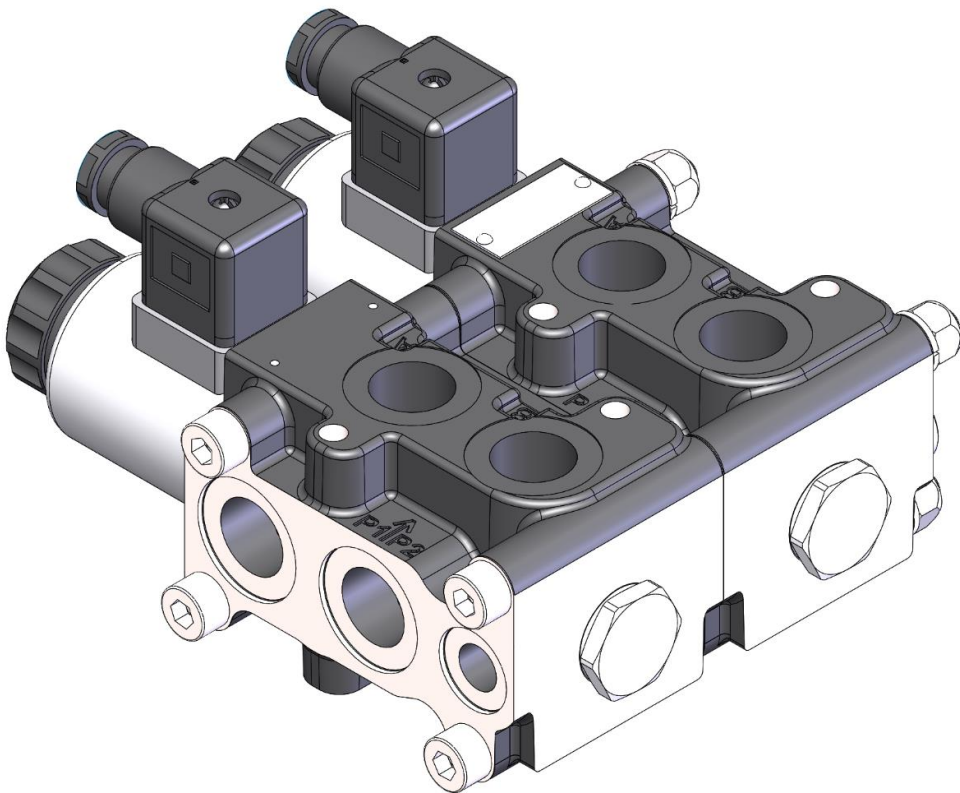


DVS6

Stackable 6/2 selector valve



DVS6:

- Up to 315 bar
- Up to 50 l/min
- Stackable up to 6 sections

Additional information

This catalogue shows the product in the most standard configuration. For special requests please contact sales.

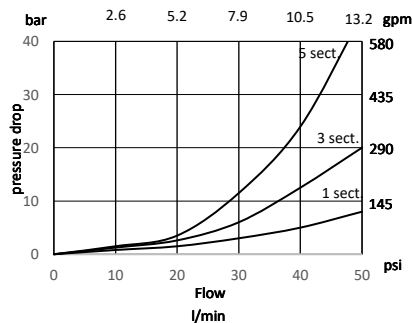
WARNING!

All specifications of this catalogue refer to the standard product at this date. Badestnost, oriented in continuous improvement, reserves the right to discontinue, modify or revise specifications, without notice.

Working conditions

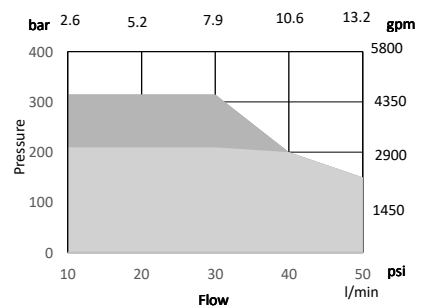
No. of available sections	up to 6	
Nominal flow rating	50 l/min	12 US gpm
Operating pressure (max.)	with drain port L	315 bar 46000 psi
	without drain port L	210 bar 3050 psi
Internal leakage (max.) A(B) to T	$\Delta p = 100$ bar (1450 psi) fluid and valve at 40 °C (104 °F)	7 cm ³ /min 0.42 in ³ /min
Fluid	Mineral based oil	
Fluid temperature	with NBR seals	from -20 °C to 80 °C from -4 °F to 176 °F
	with FPM (Viton) seals	from -20 °C to 100 °C from -4 °F to 212 °F
Viscosity	operating range	from 15 to 75 mm ² /s from 15 to 75 cSt
	min.	12 mm ² /s 12 cSt
	max.	400 mm ² /s 400 cSt
Max contamination level	19/17/14 - ISO 4406	NAS 1683 - class 8
Supply voltage	12/24 V	
Max. allowable voltage variation	±10%	
Power	31 W	
Switching frequency	15 000 1/h	
Ambient temperature	from -20 °C to 50 °C	from -4 °F to 140 °F
Coil temperature	to 180 °C	to 356 °F
Duty cycle	Continuous	
Tie rods tightening torque (wrench 13)	15 Nm	11 lbft

Pressure drops



Minimum dynamic condition

Supply is Vn-10% Tcoil > 50 C

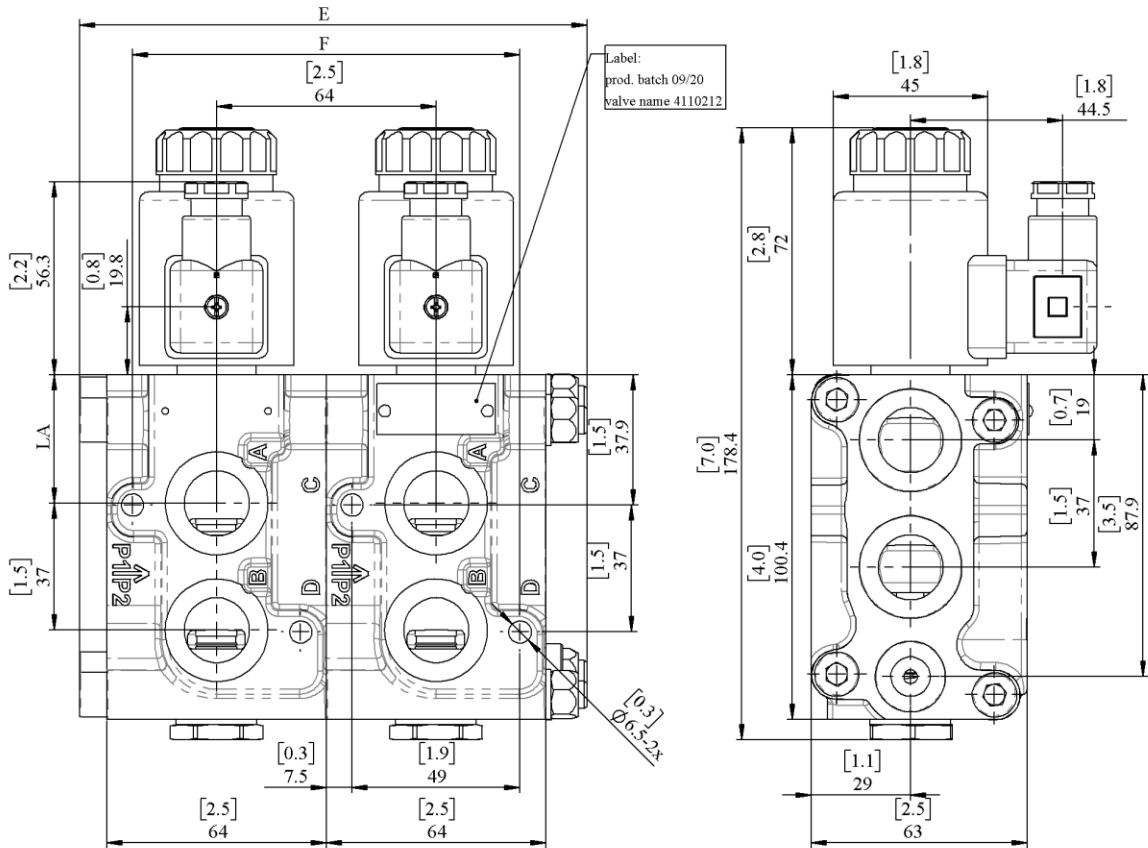


Standard threads

	Refernce standard			
	BSP	UN-UNF	Metric	NPTF
Thread	ISO 228/1	ISO 263	ISO 262	Ansi B1.20.3
according to	BS 2779	ANSI B1.1 unified		
Cavity	ISO 1179	11926	9974-1	
dimension	SAE	J1926	J2244	J476a
according to	DIN 3852-2 (Shape X or Y)		3852-1 (Shape X or Y)	

Port threadings, codes and seals when stacked				
Ports "codes"	BSP "G38"	BSP "G12"	UN-UNF "S8"	Metric "M"
Inlet P1, P2	G3/8	G1/2	3/4-16 (SAE8)	M18x1,5
Working ports A, B, C, D	G3/8	G1/2	3/4-16 (SAE8)	M18x1,5
LA [mm]	39,4	37,4	39,4	39,4
Seals between sections	<i>OR 21x2 NBR90</i>	<i>OR 26x2 NBR90</i>	<i>OR 26,7x1,78 NBR90</i>	<i>OR 21x2 NBR90</i>
Drain port L	G1/4	G1/4	7/16-20 (SAE4)	M14x1,5
Seals between sections	<i>OR 17x2 NBR90</i>	<i>OR 17x2 NBR90</i>	<i>OR 17x1,8 NBR90</i>	<i>17x2 NBR90</i>

Dimensional data:



TYPE	E		F		Weight	
	mm	in	mm	in	kg	lb
DVS6	64	2.5	49	1.9	2.2	4.8
2DVS6	148	5.8	113	4.4	4.6	10.1
3DVS6	212	8.3	177	7.0	7	15.4
4DVS6	276	10.9	241	9.5	9.4	20.7
5DVS6	340	13.4	305	12.0	11.8	26.0
6DVS6	404	15.9	369	14.5	14.2	31.3

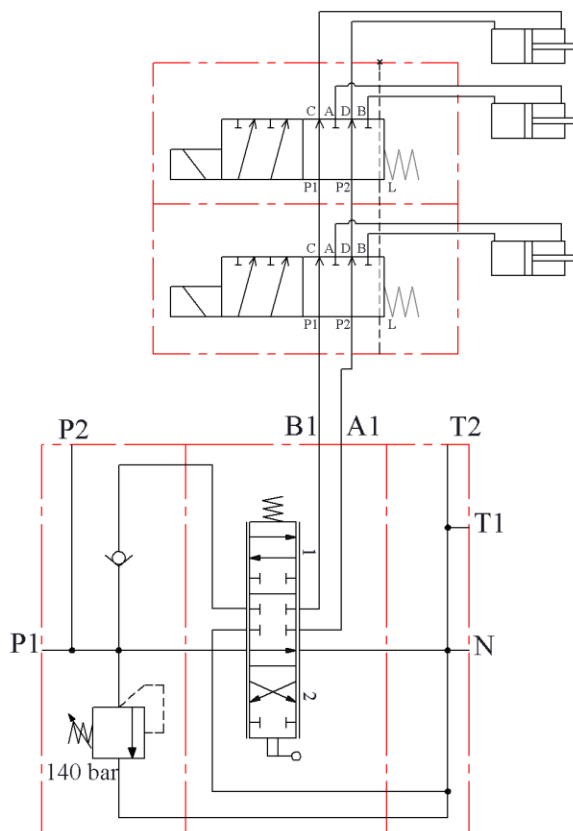
Operation and hydraulic schemes

Selector valves type DVS6 with direct solenoid operation, control the direction of the hydraulic medium flow. They are mostly used as link between two consumers and the basic directional valve, when we want to control both consumers alternately by means of one basic directional valve.

The DVS6 type directional valves consist of a housing, a control spool, and a solenoid with return spring. Change-over to the operating position is done by energizing the solenoid, whereby the solenoid plunger acts on the control spool via the operating pin, thus clearing the corresponding flow ways and establishing respective links between the ports P1, A, B and P2. When the solenoid is de-energized, the control spool is returned to its neutral position by the return spring, thus establishing again the links between ports P1, C, D and P2. The change-over can also be done manually by pressing the emergency manual override.

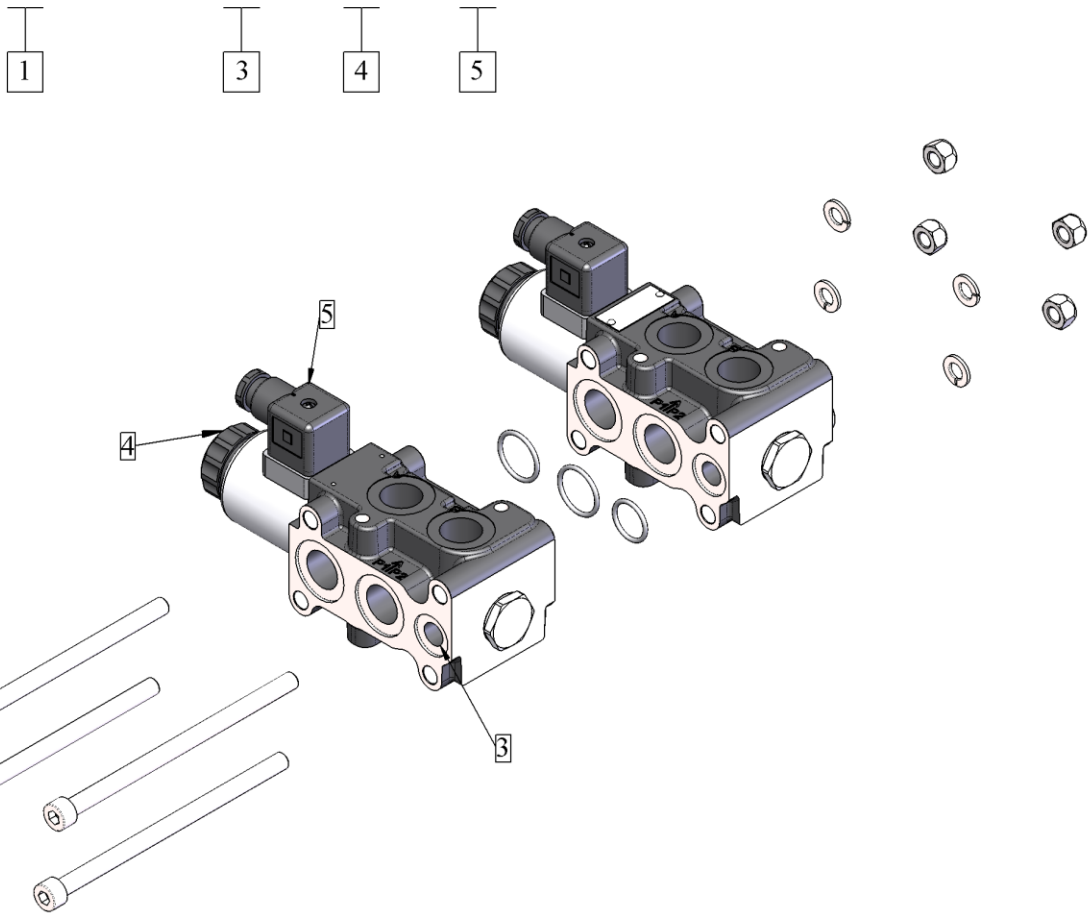


Mounting example



Order codes, complete:

2 DVS6 - L - 12V - C - G38



1. No. of sections

up to 6 Qnt of sections, stacked together

2. Position of solenoid

- Standard solenoid next to P1 port

(R) Right, solenoid next to L (P2 port); *special spool is required*

3. Drainage port

- Without drainage

L With drainage

4. Solenoid specification

12V 12V for ISO4400 connector

24V 24V for ISO4400 connector

12V(DT) 12V for Deutsch DT06 connector

24V(DT) 24V for Deutsch DT06 connector

5. Connector

- Standard without connector

C With connector

6. Assembly kit (tie rod kits)

2S Tie rod kit 2 sections

3S Tie rod kit 3 sections

4S Tie rod kit 4 sections

5S Tie rod kit 5 sections

6S Tie rod kit 6 sections