

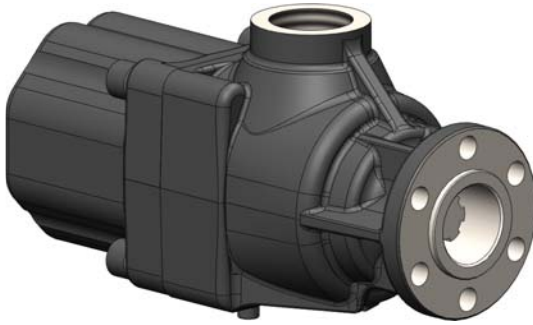
# POMPE A PISTONI FISSAGGIO 3 FORI-UNI

CODICE FAMIGLIA **108-005**  
FAMILY CODE

## 3 HOLES-UNI HYDRAULIC PISTON PUMPS

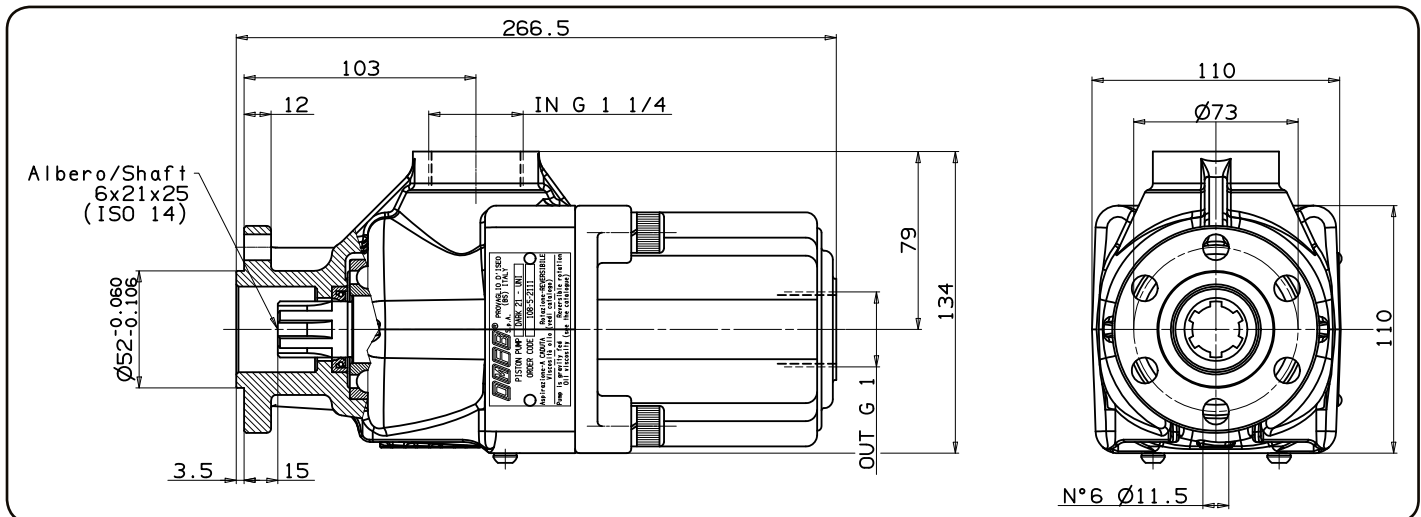
**"DARK" UNI**

Codice fascicolo: 997-400-60010



|   |  |                                      |          |   |      |
|---|--|--------------------------------------|----------|---|------|
| Fluido idraulico<br>Fluid   | Minerale o sintetico compatibile con guarnizioni:<br>Mineral or synthetic compatible with the following seals:<br>NBR, FKM, FPM, Nylon |                                      |          |   |      |
| Viscosità cinematica consigliata<br>Kinematic viscosity suggested   | T media ambiente (°C)<br>Average ambient temp. (°C)  | < -10                                | -10 ÷ 10 | 10 ÷ 35   | > 35 |
|   | VG (cSt = mm <sup>2</sup> /s)  | 16                                   | 22       | 32  | 46   |
| Viscosità cinematica ottimale di esercizio<br>Optimale kinematic viscosity  |  | VG = 10 cSt ÷ 100 cSt                |          |   |      |
| Viscosità cinematica max consentita all'avviamento<br>Max kinematic viscosity suggested at the start-up   |  | VG = 750 cSt                         |          |   |      |
| Indice di viscosità consigliato<br>Viscosity index suggested  |  | VI > 100                             |          | Temperatura di esercizio<br>Working temperature |      |
|   |  |                                      |          | -15°C ÷ 100°C                                   |      |
| Grado di filtrazione<br>Oil filtering   |  | > 200 bar: 10 µm<br>< 200 bar: 25 µm |          |   |      |
| Pres. di aspirazione<br>Inlet pressure  |  | 0,85 ÷ 2 bar<br>assoluti/absolut     |          |   |      |
| Senso di rotazione<br>Pump rotation   |  | Bidirezionale<br>Bidirectional       |          |   |      |
| Verificare che la pompa sia posizionata almeno 100 mm sotto il livello minimo del serbatoio olio. Prima di avviare la pompa effettuare spurgo aria.<br>Verify that pump is, at least, 100 mm under the minimum level of the tank. Before starting the pump bleed the air. |  |                                      |          |   |      |

Data: Giovedì 07 novembre 2019



Codice foglio: 997-108-00510 Rev: AG

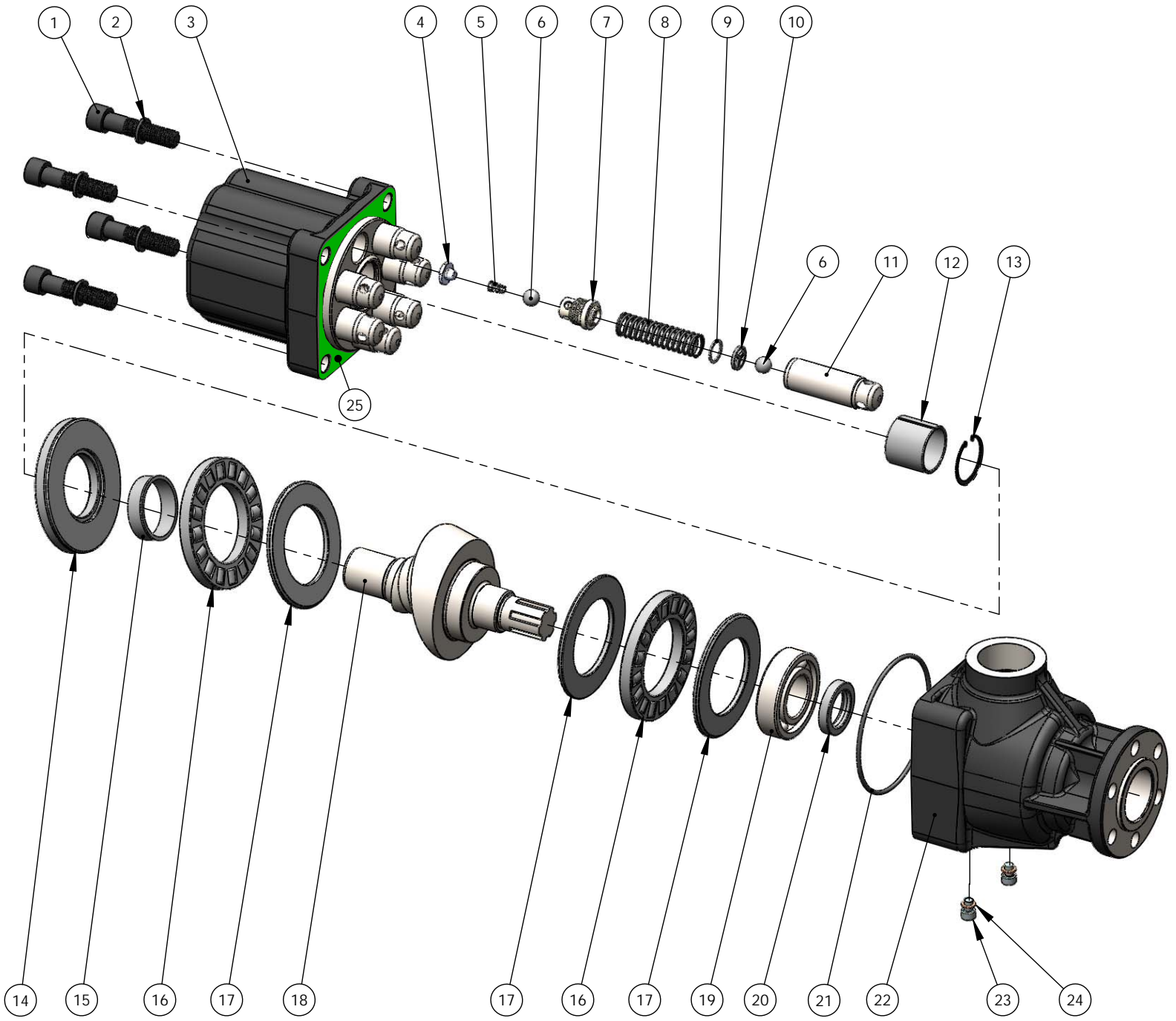
| Tipo pompa<br>Pump type | Codice<br>Code | Cilindrata<br>Displacement | Pressione<br>Pressure |               | Velocità<br>massima<br>Max speed | Peso<br>Weight |
|-------------------------|----------------|----------------------------|-----------------------|---------------|----------------------------------|----------------|
|                         |                |                            | Massima<br>Max        | Picco<br>Peak |                                  |                |
|                         |                | cm <sup>3</sup> /rev       | bar                   | bar           | rpm                              | kg             |
| <b>DARK-21</b>          | 108-005-02111  | 20,25                      | 350                   | 400           | 1800                             | 13,9           |
| <b>DARK-28</b>          | 108-005-02817  | 27                         |                       |               |                                  | 13,9           |
| <b>DARK-35</b>          | 108-005-03512  | 33,75                      |                       |               |                                  | 13,8           |
| <b>DARK-42</b>          | 108-005-04217  | 40,5                       |                       |               |                                  | 13,7           |
| <b>DARK-48</b>          | 108-005-04815  | 47,25                      |                       |               |                                  | 13,6           |
| <b>DARK-52</b>          | 108-005-05216  | 51,97                      |                       |               |                                  | 13,6           |
| <b>DARK-55</b>          | 108-005-05510  | 54                         | 300                   | 350           | 1500                             | 13,5           |
| <b>DARK-60</b>          | 108-005-05912  | 59,3                       |                       |               |                                  | 13,4           |

pag. 3



O.M.F.B. S.p.A. Hydraulic Components  
We reserve the right to make any changes without notice.  
Edition 2016.06 No reproduction, however partial, is permitted.  
Via Cave, 7/9 25050 Provaglio d'Iseo (Brescia) Italy Tel.: +39.030.9830611  
Fax: +39.030.9839207-208 Internet: www.omfb.it e-mail: contatti@omfb.it

COMPANY WITH  
QUALITY SYSTEM  
CERTIFIED BY DNV GL  
= IATF 16949 =



pag. 4

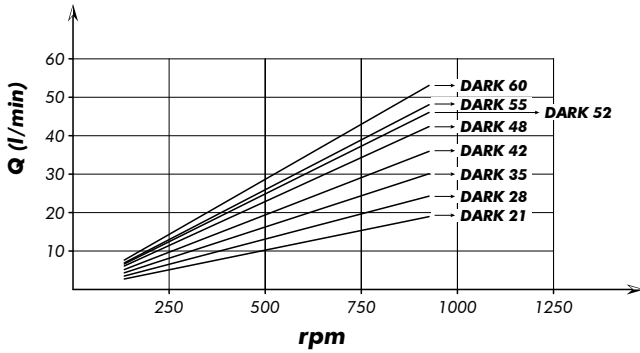
COMPANY WITH  
QUALITY SYSTEM  
CERTIFIED BY DNV GL  
= IATF 16949 =

O.M.F.B. S.p.A. Hydraulic Components  
We reserve the right to make any changes without notice.  
Edition 2016.06 No reproduction, however partial, is permitted.  
Via Cava, 7/9 25050 Provedolo (Tseo) (Brescia) Italy Tel.: +39 030.9830611  
Fax: +39 030.9839207-208 Internet: www.omfb.it e-mail: comatitf@omfb.it

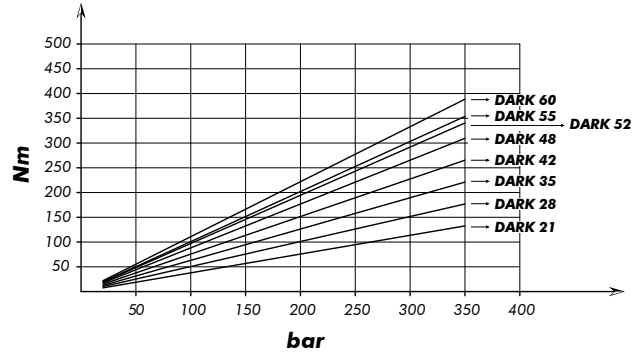


| N° | 21   | 28   | 35    | 42    | 48    | 52    | 55    | 60    | Codice/P. Number | Descrizione / Description     |                             | Q. |
|----|------|------|-------|-------|-------|-------|-------|-------|------------------|-------------------------------|-----------------------------|----|
| 1  | •    | •    | •     | •     | •     | •     | •     | •     | 502-005-00591    | Vite TCE M12x55 UNI 5931      | Socket head capscrew M12x55 | 4  |
| 2  | •    | •    | •     | •     | •     | •     | •     | •     | 501-008-00063    | Rondella elastica             | Washer                      | 4  |
| 3  | •    |      |       |       |       |       |       |       | 517-002-00011    | Corpo posteriore              | Rear body                   | 1  |
|    |      | •    |       |       |       |       |       |       | 517-002-00039    |                               |                             |    |
|    |      |      | •     |       |       |       |       |       | 517-002-00020    |                               |                             |    |
|    |      |      |       | •     |       |       |       |       | 517-002-00100    |                               |                             |    |
|    |      |      |       |       | •     |       |       |       | 517-002-00048    |                               |                             |    |
|    |      |      |       |       |       | •     |       |       | 517-002-00182    |                               |                             |    |
|    |      |      |       |       |       |       | •     |       | 517-002-00057    |                               |                             |    |
|    |      |      |       |       |       |       |       | •     | 517-002-00146    |                               |                             |    |
| 4  | • x3 | • x4 | • x5  | • x6  | • x7  | • x7  | • x8  | • x8  | 542-001-00135    | Corpo guida molla             | Spring guide body           |    |
| 5  | • x3 | • x4 | • x5  | • x6  | • x7  | • x7  | • x8  | • x8  | 512-004-00153    | Molla conica                  | Tapered spring              |    |
| 6  | • x6 | • x8 | • x10 | • x12 | • x14 | • x14 | • x16 | • x16 | 510-009-00116    | Sfera grano 7/16"             | Ball 7/16"                  |    |
| 7  | • x3 | • x4 | • x5  | • x6  | • x7  | • x7  | • x8  | • x8  | 540-000-00149    | Tappo valvola mandata         | Plug delivery valve         |    |
| 8  | • x3 | • x4 | • x5  | • x6  | • x7  | • x7  | • x8  | • x8  | 512-005-01946    | Molla ritorno pistone         | Back piston spring          |    |
| 9  | • x3 | • x4 | • x5  | • x6  | • x7  | • x7  | • x8  | • x8  | 530-000-00159    | Distanziale                   | Spacer                      |    |
| 10 | • x3 | • x4 | • x5  | • x6  | • x7  | • x7  | • x8  | • x8  | 550-001-00209    | Part. arresto sfera pompanti  | Spacer sprine guide         |    |
| 11 | • x3 | • x4 | • x5  | • x6  | • x7  |       | • x8  |       | 532-004-00026    | Pistone pompante ø21          | Pump piston ø21             |    |
|    |      |      |       |       |       | • x7  |       | • x8  | 532-004-00035    | Pistone pompante ø22          | Pump piston ø22             |    |
| 12 | •    | •    | •     | •     | •     | •     | •     | •     | 533-004-00051    | Boccola 34x30x30              | Bushing 34x30x30            | 1  |
| 13 | •    | •    | •     | •     | •     | •     | •     | •     | 501-000-00187    | Anello elastico               | Circlip                     | 1  |
| 14 | •    | •    | •     | •     | •     | •     | •     | •     | 510-006-00379    | Ralla 93x44x10.4              | Bearing 93x44x10.4          | 1  |
| 15 | •    | •    | •     | •     | •     | •     | •     | •     | 533-004-00159    | Boccola 40x44x12              | Bushing 40x44x12            | 1  |
| 16 | •    | •    | •     | •     | •     | •     | •     | •     | 510-006-55909    | Gabbia assiale rulli 92x55x11 | Axial roller cage 92x55x11  | 2  |
| 17 | •    | •    | •     | •     | •     | •     | •     | •     | 510-006-00431    | Ralla 88x55x4                 | Bearing 88x55x4             | 3  |
| 18 | •    | •    | •     | •     | •     | •     | •     | •     | 522-005-00124    | Albero                        | Shaft                       | 1  |
| 19 | •    | •    | •     | •     | •     | •     | •     | •     | 510-001-00212    | Cuscinetto sfere 62x30x16     | Ball bearing 62x30x16       | 1  |
| 20 | •    | •    | •     | •     | •     | •     | •     | •     | 506-007-00313    | Paraolio                      | Oil seal                    | 1  |
| 21 | •    | •    | •     | •     | •     | •     | •     | •     | 506-002-00630    | Guarnizione OR                | O-Ring                      | 1  |
| 22 | •    | •    | •     | •     | •     | •     | •     | •     | 517-002-00324    | Corpo anteriore               | Front housing               | 1  |
| 23 | •    | •    | •     | •     | •     | •     | •     | •     | 502-000-01120    | Vite TCE M6x8                 | Socket head capscrew M6x8   | 2  |
| 24 | •    | •    | •     | •     | •     | •     | •     | •     | 116-009-01022    | Rondella rame 10x6x1          | Washer                      | 2  |
| 25 | •    | •    | •     | •     | •     | •     | •     | •     | 507-000-00434    | Guarnizione                   | Gasket                      | 1  |

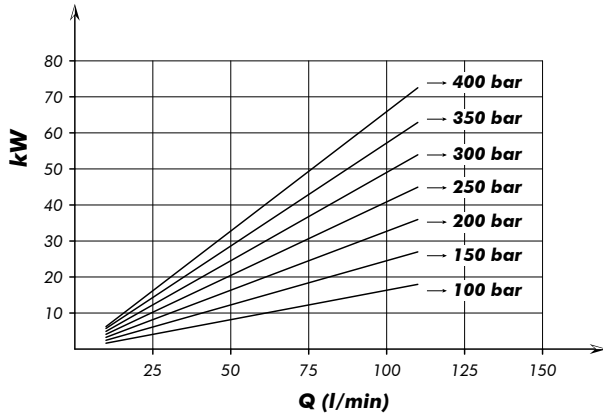
**PORTATA**  
FLOW



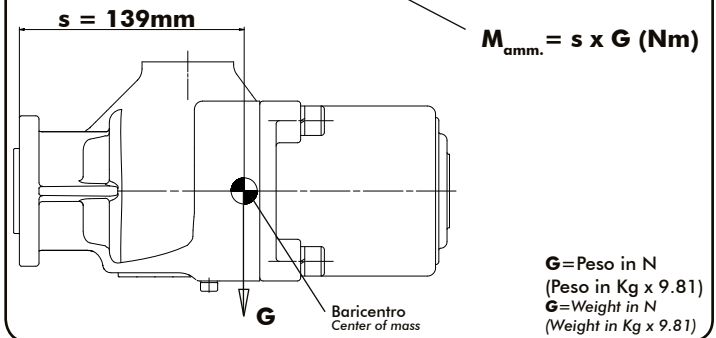
**COPPIA ASSORBITA**  
DRIVE TORQUE



**POTENZA ASSORBITA**  
POWER INPUT



**MOMENTO PESO / MASS MOMENT**



La quota "s" può essere considerata unica per tutte le cilindrata.  
"s" dimension can be considered valid for all pump displacement.

**Kit guarnizioni**  
Seal Kit

**108-903-00018**