

AXIAL HYDRAULIC PISTON PUMPS

FAMILY CODE

108-007

"DARK" SAE-B

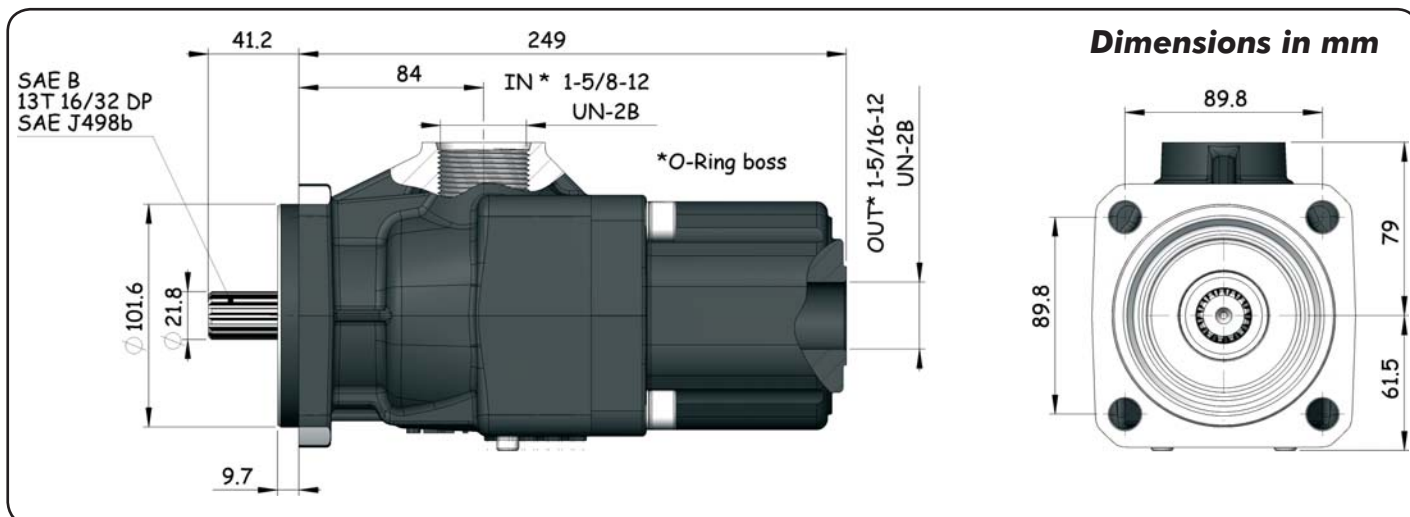
Codice foglio: 997-108-00710 Rev: AB



Fluid	Mineral or synthetic compatible with the following seals: NBR, FKM, FPM, Nylon				
Kinematic viscosity suggested	Average ambient temp. (°C)	< -14	-14 ÷ 50	50 ÷ 95	> 95
	VG (cSt = mm ² /s)	16	22	32	46
Optimale kinematic viscosity			VG = 10 cSt ÷ 100 cSt		
Max kinematic viscosity suggested at the start-up			VG = 750 cSt		
Viscosity index suggested			VI > 100		
Oil filtering			> 2900 PSI: 10 μm < 2900 PSI: 25 μm		
Inlet pressure			1,45 ÷ 29 PSI absolut		
Senso di rotazione <i>Pump rotation</i>			Bidirectional		
Verify that pump is, at least, 100 mm under the minimum level of the tank. Before starting the pump bleed the air.					

Rev: //

Codice fascicolo:



Data: Giovedì 2 novembre 2006

Pump type	Code	Displacement inch ³ /rev	Pressure		Max speed rpm	Weight kg
			Max PSI	Peak PSI		
DARK SAE-B 21	108-007-00219	1,24	5075	5075	1800	
DARK SAE-B 28	108-007-00282	1,65				
DARK SAE-B 35	108-007-00353	2,06				
DARK SAE-B 42	108-007-00424	2,47				
DARK SAE-B 48	108-007-00488	2,88	4930	4930	1500	
DARK SAE-B 52	108-007-00522	3,17	4495	4495		
DARK SAE-B 55	108-007-00559	3,29	4350	4350		
DARK SAE-B 60	108-007-00602	3,62	3915	3915		

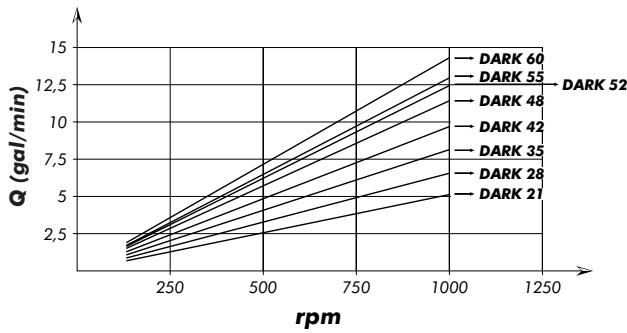
pag.1



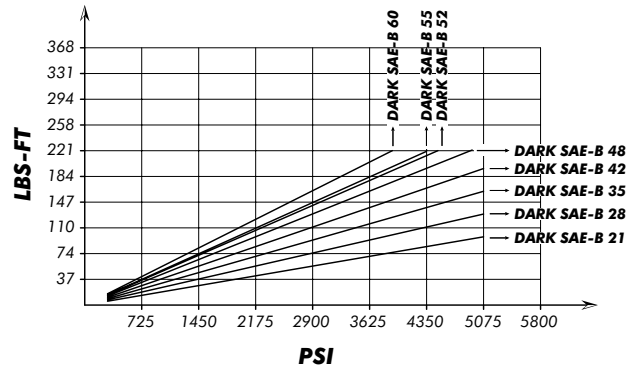
O.M.F.B. S.p.A. Hydraulic Components
 We reserve the right to make any changes without notice.
 Edition 2006.11 No reproduction, however partial, is permitted.
 Via Cave, 7/9 25050 Provaglia d'Iseo (Brescia) Italy Tel.: +39.030.9830611
 Fax: +39.030.9839207-208 Internet:www.omfb.it e-mail:info@omfb.it

COMPANY
 WITH QUALITY SYSTEM
 CERTIFIED BY DNV
ISO 9001/2000

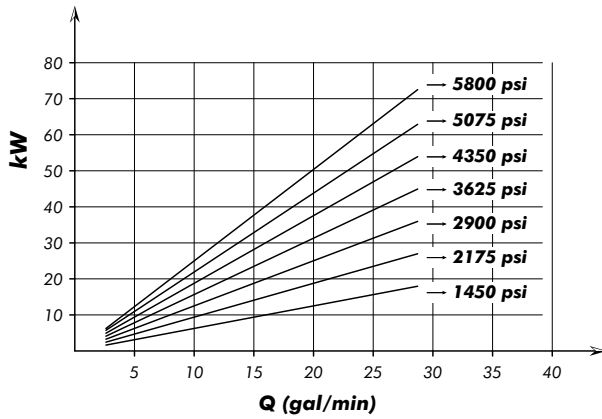
FLOW



DRIVE TORQUE



POWER INPUT



Seal Kit

108-903-00054

Codice foglio: 997-108-00710 Rev: AB

Rev: //

Codice fascicolo:

Data: Giovedì 2 novembre 2006