

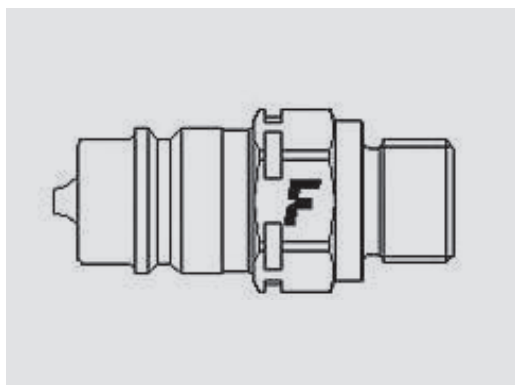


CNV

Male couplings for agriculture, suitable for CPV female parts, ISO 7241-A interchange.

Standard male couplings for agriculture applications. Wide range of male threads available. ISO 7241-1 part A interchange.

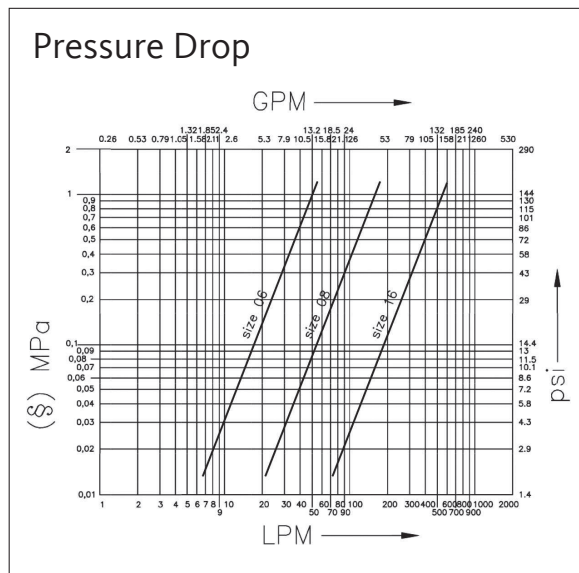
Applications

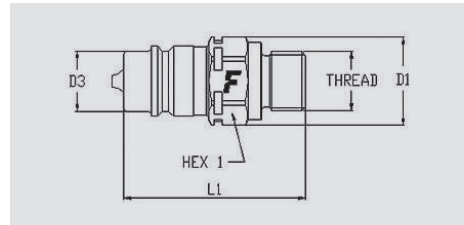


Technical Specifications

dash	Size		Working Pressure (MPa)	Flow Rate (l/min)	Spillage (ml)	Force to Connect (N)	Burst pressure (MPa)		
	mm	inch					Male	Female	Male + Female
06	10	3/8"	27	24	1,3	120	115		110
08	12,5	1/2"	25	75	1,8	110	100		100
12	20	3/4"	25	160	8	250	100		100
16	25	1"	22	270	13	220	100		90

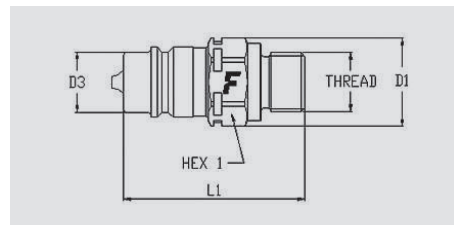
Material	Steel
Seals	NBR
Working temperatures	- 25 °C to + 125 °C
Surface treatment	MATE 500 (CrIII)
Series Interchange	ISO 7241-A
Valve Type	Poppet
Connection	
Disconnection	
Connection Under Pressure	Not Allowed



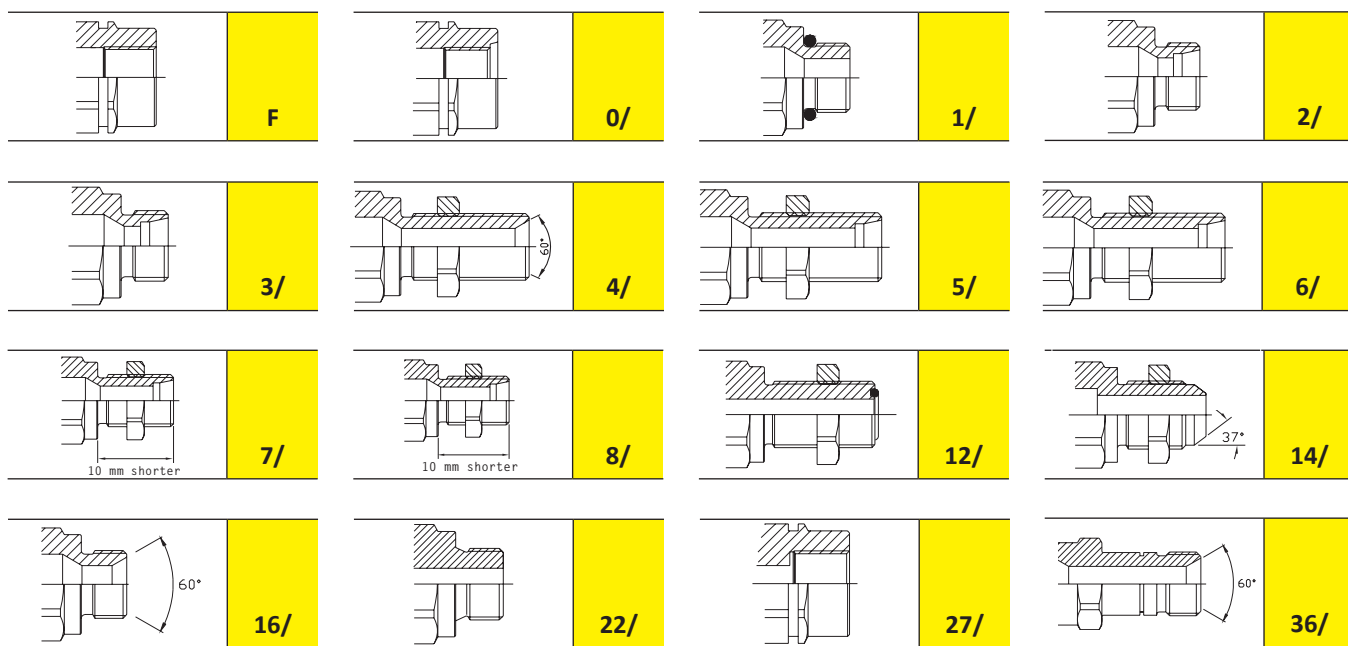


Size		Thread details			MALE									
inch	mm	Thread Type	Standard	Thread	Part Number	L (L1 + Thread)		D1		D3		HEX1		
						mm	inch	mm	inch	mm	inch	mm	inch	
3/8"	10	0/ METRIC	ISO 6149-1	M14x1,5 FEMALE ORB	CNV060/1415 M	53	2,09	26	1,02	17,2	0,68	24	0,94	
3/8"	10	01/ SAE	ISO 11926-3	3/4"-16 UNF MALE	CNV061/12SAE M	53	2,09	26	1,02	17,2	0,68	24	0,94	
3/8"	10	02/ METRIC	ISO 8434-1-L	M16x1,5 MALE 10L	CNV062/1615 M	54,2	2,13	26	1,02	17,2	0,68	24	0,94	
3/8"	10	02/ METRIC	ISO 8434-1-L	M18x1,5 MALE 12L	CNV062/1815 M	54,2	2,13	26	1,02	17,2	0,68	24	0,94	
3/8"	10	07/ METRIC	ISO 8434-1-L	M18x1.5 MALE BULKHEAD SHORT 12L	CNV067/1815 M	69,2	2,72	27	1,06	17,2	0,68	24	0,94	
1/2"	12,5	0/ BSPP	BS 5380	3/8 BSP FEMALE ORB	CNV080/38GAS M	57	2,24	30	1,18	20,5	0,81	27	1,06	
1/2"	12,5	0/ METRIC	ISO 6149-1	M16x1,5 FEMALE ORB	CNV080/1615 M	57	2,24	30	1,18	20,5	0,81	27	1,06	
1/2"	12,5	0/ METRIC	ISO 6149-1	M18x1,5 FEMALE ORB	CNV080/1815 M	57	2,24	30	1,18	20,5	0,81	27	1,06	
1/2"	12,5	0/ METRIC	ISO 6149-1	M20x1,5 FEMALE ORB	CNV080/2015 M	60	2,36	30	1,18	20,5	0,81	27	1,06	
1/2"	12,5	0/ METRIC	ISO 6149-1	M22x1,5 FEMALE ORB	CNV080/2215 M	61	2,4	30	1,18	20,5	0,81	27	1,06	
1/2"	12,5	01/ METRIC	ISO 6149-2	M18x1,5 MALE	CNV081/1815 M	60	2,36	30	1,18	20,5	0,81	27	1,06	
1/2"	12,5	01/ METRIC	ISO 6149-2	M27x2 MALE	CNV081/272 M	67	2,64	35	1,38	20,5	0,81	32	1,26	
1/2"	12,5	01/ SAE	ISO 11926-3	3/4"-16 UNF MALE	CNV081/12SAE M	57	2,24	30	1,18	20,5	0,81	27	1,06	
1/2"	12,5	02/ METRIC	ISO 8434-1-L	M14x1,5 MALE 8L	CNV082/1415 M	59	2,32	30	1,18	20,5	0,81	27	1,06	
1/2"	12,5	02/ METRIC	ISO 8434-1-L	M16x1,5 MALE 10L	CNV082/1615 M	58,5	2,3	30	1,18	20,5	0,81	27	1,06	
1/2"	12,5	02/ METRIC	ISO 8434-1-L	M18x1,5 MALE 12L	CNV082/1815 M	57	2,24	30	1,18	20,5	0,81	27	1,06	
1/2"	12,5	02/ METRIC	ISO 8434-1-L	M22x1,5 MALE 15L	CNV082/2215 M	58	2,28	30	1,18	20,5	0,81	27	1,06	
1/2"	12,5	02/ METRIC	ISO 8434-1-L	M26x1,5 MALE 18L	CNV082/2615 M	58	2,28	30	1,18	20,5	0,81	27	1,06	
1/2"	12,5	03/ METRIC	ISO 8434-1-S	M20x1.5 MALE 12S	CNV083/2015 M	58	2,28	30	1,18	20,5	0,81	27	1,06	
1/2"	12,5	03/ METRIC	ISO 8434-1-S	M24x1,5 MALE 16S	CNV083/2415 M	60	2,36	30	1,18	20,5	0,81	27	1,06	
1/2"	12,5	04/ BSPP	ISO 8434-6	60° 1/2" BSPP MALE BULKHEAD	CNV084/12GAS M	82,5	3,25	30	1,18	20,5	0,81	27	1,06	
1/2"	12,5	05/ METRIC	ISO 8434-1-L	M16x1,5 MALE BULKHEAD 10L	CNV085/1615 M	81	3,19	30	1,18	20,5	0,81	27	1,06	
1/2"	12,5	05/ METRIC	ISO 8434-1-L	M18x1,5 MALE BULKHEAD 12L	CNV085/1815 M	78	3,07	30	1,18	20,5	0,81	27	1,06	
1/2"	12,5	05/ METRIC	ISO 8434-1-L	M22x1,5 MALE BULKHEAD 15L	CNV085/2215 M	81	3,19	30	1,18	20,5	0,81	27	1,06	
1/2"	12,5	06/ METRIC	ISO 8434-1-S	M20x1.5 MALE BULKHEAD 12S	CNV086/2015 M	81	3,19	30	1,18	20,5	0,81	27	1,06	
1/2"	12,5	07/ METRIC	ISO 8434-1-L	M16x1,5 MALE BULKHEAD SHORT 10L	CNV087/1615 M	73,5	2,89	30	1,18	20,5	0,81	27	1,06	
1/2"	12,5	07/ METRIC	ISO 8434-1-L	M18x1.5 MALE BULKHEAD SHORT 12L	CNV087/1815 M	72	2,83	30	1,18	20,5	0,81	27	1,06	
1/2"	12,5	07/ METRIC	ISO 8434-1-L	M22x1.5 MALE BULKHEAD SHORT 15L	CNV087/2215 M	72	2,83	30	1,18	20,5	0,81	27	1,06	
1/2"	12,5	08/ METRIC	ISO 8434-1-S	M22x1.5 MALE BULKHEAD SHORT	CNV088/2215 M	72	2,83	30	1,18	20,5	0,81	27	1,06	
1/2"	12,5	12/ SAE	ISO 8434-3	13/16"-16 UN MALE BULKHEAD ORFS	CNV0812/12SAEM	80,5	3,17	30	1,18	20,5	0,81	27	1,06	
1/2"	12,5	14/ SAE	ISO 8434-2	3/4"-16 UN MALE BULKHEAD JIC	CNV0814/12SAEM	83	3,27	30	1,18	20,5	0,81	27	1,06	
1/2"	12,5	16/ BSPP	ISO 8434-6	60° 1/2 BSPP MALE	CNV0816/12GASM	60	2,36	30	1,18	20,5	0,81	27	1,06	
1/2"	12,5	16/ BSPP	ISO 8434-6	60° 3/8 BSPP MALE	CNV0816/38GASM	59,5	2,34	30	1,18	20,5	0,81	27	1,06	
1/2"	12,5	21/ METRIC	ISO 9974-2	M22x1,5 MALE	CNV081/2215 M	61	2,4	30	1,18	20,5	0,81	27	1,06	
1/2"	12,5	22/ BSPP	DIN 3852-2-A	1/2 BSPP MALE	CNV0822/12GASM	60	2,36	30	1,18	20,5	0,81	27	1,06	
1/2"	12,5	27/ SAE	ISO 8434-3	1" - 14 UNS	CNV0827/58SAEM	64	2,52	33	1,3	20,5	0,81	30	1,18	
1/2"	12,5	36/ BSP	ISO 8434-6	60° 1/2 BSP MALE	CNV0836/12GASM	89	3,5	30	1,18	20,5	0,81	27	1,06	
1/2"	12,5	F BSPP	ISO 1179-1	BSPP 3/8 FEMALE	CNV08 38 GAS M	57	2,24	30	1,18	20,5	0,81	27	1,06	
3/4"	20	0/ METRIC	ISO 6149-1	M27x2 FEMALE ORB	CNV120/272 M	85,5	3,37	38	1,5	29	1,14	34	1,34	
3/4"	20	01/ METRIC	ISO 6149-2	M22x1,5 MALE	CNV121/2215 M	86,5	3,41	35	1,38	29	1,14	32	1,26	
3/4"	20	01/ METRIC	ISO 6149-2	M27x2 MALE	CNV121/272 M	86,5	3,41	35	1,38	29	1,14	32	1,26	

CNV



Size		Thread details			MALE								
inch	mm	Thread Type	Standard	Thread	Part Number	L (L1 + Thread)		D1		D3		HEX1	
						mm	inch	mm	inch	mm	inch	mm	inch
3/4"	20	03/ METRIC	ISO 8434-1-S	M30x2 MALE 20S	CNV123/302 M	83,2	3,28	38	1,5	29	1,14	34	1,34
3/4"	20	05/ METRIC	ISO 8434-1-L	M30x2 MALE BULKHEAD 22L	CNV125/302 M	101,2	3,98	46	1,81	29	1,14	36	1,42
3/4"	20	05/ METRIC	ISO 8434-1-L	M36x2 MALE BULKHEAD 28L	CNV125/362 M	109	4,29	51,5	2,03	29	1,14	41	1,61
3/4"	20	05/ METRIC	ISO 8434-1-L	M45x2 MALE BULKHEAD 35L	CNV125/452 M	114,2	4,5	62	2,44	29	1,14	55	2,17
3/4"	20	07/ METRIC	ISO 8434-1-L	M36x2 MALE BULKHEAD SHORT 28L	CNV127/362 M	100,2	3,94	51,5	2,03	29	1,14	41	1,61
3/4"	20	12/ SAE	ISO 8434-3	1 3/16" - 12 UN MALE BULKHEAD ORFS	CNV1212/34SAEM	106,7	4,2	42	1,65	29	1,14	36	1,42
3/4"	20	12/ SAE	ISO 8434-3	1 7/16" - 12 UN MALE BULKHEAD ORFS	CNV1212/1SAE M	109,2	4,3	50	1,97	29	1,14	42	1,65
1"	25	0/ BSPP	BS 5380	1 BSP FEMALE ORB	CNV160/1GAS M	75	2,95	46	1,81	34,3	1,35	42	1,65
1"	25	0/ BSPP	BS 5380	3/4 BSP FEMALE ORB	CNV160/34GAS M	72	2,83	42,5	1,67	34,3	1,35	38	1,5
1"	25	02/ METRIC	ISO 8434-1-L	M30x2 MALE 22L	CNV162/302 M	71,5	2,81	42,5	1,67	34,3	1,35	38	1,5
1"	25	02/ METRIC	ISO 8434-1-L	M36x2 MALE 28L	CNV162/362 M	70	2,76	42,5	1,67	34,3	1,35	38	1,5
1"	25	03/ METRIC	ISO 8434-1-S	M30x2 MALE 20S	CNV163/302 M	75	2,95	42,5	1,67	34,3	1,35	38	1,5
1"	25	F BSPP	ISO 1179-1	BSPP 1 FEMALE	CNV16 34GAS M	72	2,83	42,5	1,67	34,3	1,35	38	1,5
1"	25	F BSPP	ISO 1179-1	BSPP 1 FEMALE	CNV16 1GAS M	77	3,03	46	1,81	34,3	1,35	42	1,65



CNV Accessories

PVC dust caps



Caps suitable for MALE

Size			Cap Details	
inch	mm	dash	Part number	Colour
3/8"	10	06	TFA 38	yellow
3/8"	10	06	TFA 38 A	orange
3/8"	10	06	TFA 38 B	blue
3/8"	10	06	TFA 38 N	black
3/8"	10	06	TFA 38 R	red
3/8"	10	06	TFA 38 V	green
1/2"	12,5	08	TF 12	blue
1/2"	12,5	08	TF 12 A	orange
1/2"	12,5	08	TF 12 G	yellow
1/2"	12,5	08	TF 12 GR	grey
1/2"	12,5	08	TF 12 M	brown
1/2"	12,5	08	TF 12 N	black
1/2"	12,5	08	TF 12 R	red
1/2"	12,5	08	TF 12 V	green
3/4"	20	12	TFA 34	yellow
3/4"	20	12	TFA 34 B	blue
3/4"	20	12	TFA 34 N	black
3/4"	20	12	TFA 34 R	red
1"	25	16	TFA 1	yellow
1"	25	16	TFA 1 N	black
1"	25	16	TFA 1 R	red

Aluminium dust caps



Caps suitable for MALE

Size			Cap Details	
inch	mm	dash	Part number	Colour
1/2"	12,5	08	TF 12 S	
3/4"	20	12	TF 34 S	
1"	25	16	TF 1 S	

Seal Kits



For Female

Size			Seal Details	
inch	mm	dash	Material	Part Number
1/2"	12,5	08	NBR; PTFE	SK NV 12

Every seals kit is composed of 5 or 10 pcs.

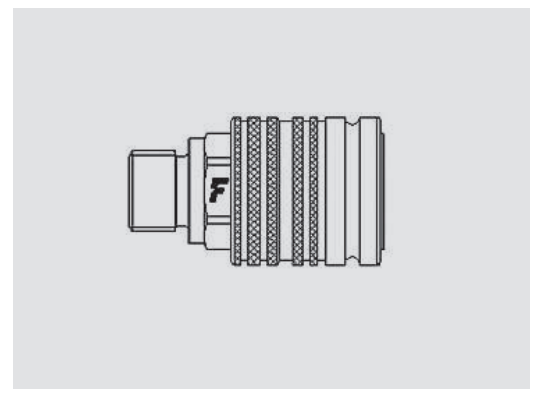
CPV



Push-pull female couplings for agriculture, panel mounting.

Push-pull couplings, designed for panel mounting installation. A wide range of threaded adapters is available. Breakaway function. ISO 7241-1 part A interchange.

Applications

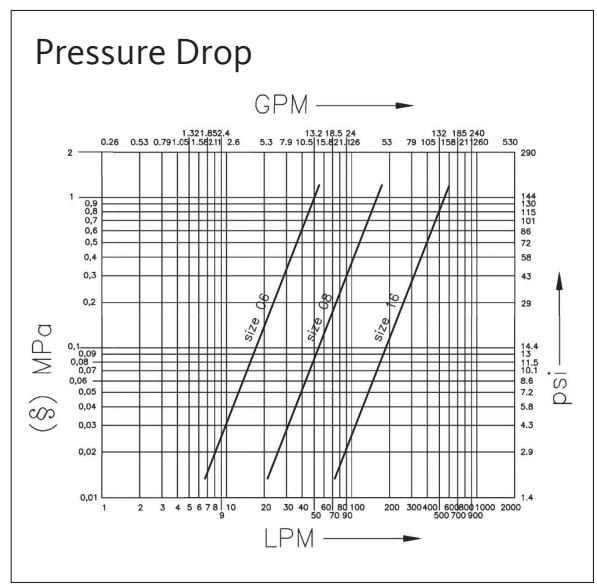


Technical Specifications

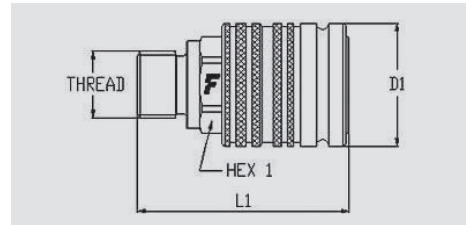
dash	Size		Working Pressure (MPa)	Flow Rate (l/min)	Spillage (ml)	Force to Connect (N)	Burst pressure (MPa)		
	mm	inch					Male	Female	Male + Female
06	10	3/8"	27	24	1,3	120	130	110	
08	12,5	1/2"	25	75	1,8	110	120	100	
16	25	1"	22	270	13	220	110	90	

Material	Steel
Seals	NBR
Working temperatures	- 25 °C to + 125 °C
Surface treatment	MATE 500 (CrIII)
Series Interchange	ISO 7241-A
Valve Type	Poppet
Connection	Push to Connect*
Disconnection	Pull to Disconnect*
Connection Under Pressure	Not Allowed

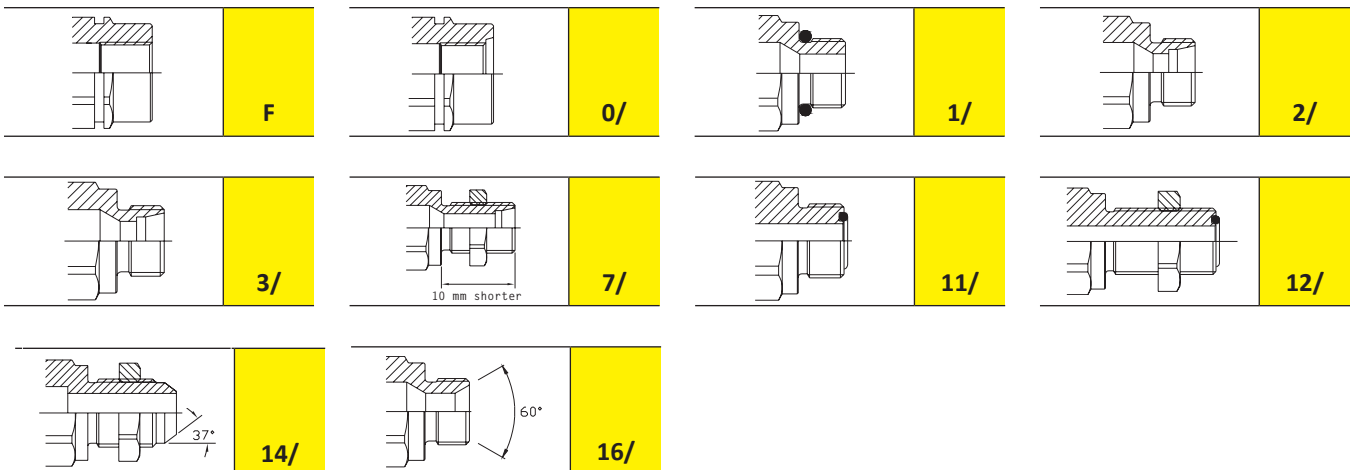
* If panel mounted through the sleeve. Otherwise sleeve retraction.



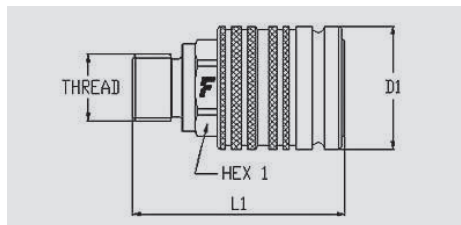
CPV



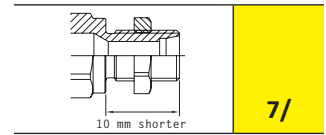
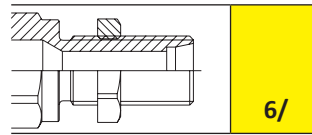
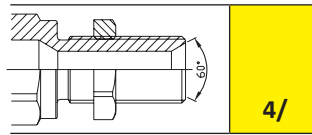
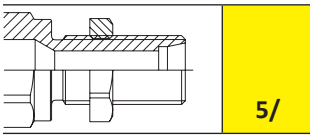
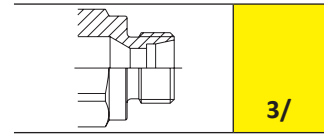
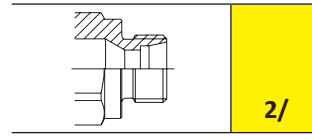
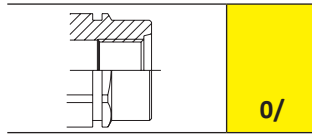
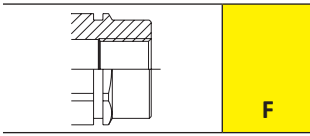
Size		Thread details			FEMALE						
inch	mm	Thread Type	Standard	Thread	Part Number	L (L1 + Thread)		D1		HEX1	
						mm	inch	mm	inch	mm	inch
3/8"	10	01/ METRIC	ISO 6149-2	M16x1,5 MALE	CPV061/1615 F	62	2,44	33	1,3	24	0,94
3/8"	10	02/ METRIC	ISO 8434-1-L	M12x1,5 MALE 6L	CPV062/1215 F	60,7	2,39	33	1,3	24	0,94
3/8"	10	02/ METRIC	ISO 8434-1-L	M16x1,5 MALE 10L	CPV062/1615 F	61,7	2,43	33	1,3	24	0,94
3/8"	10	07/ METRIC	ISO 8434-1-L	M14x1,5 MALE BULKHEAD SHORT 8L	CPV067/1415 F	76,7	3,02	33	1,3	24	0,94
3/8"	10	F BSPP	ISO 1179-1	BSPP 1/2 FEMALE	CPV06 12 GAS F	65,5	2,58	33	1,3	24	0,94
3/8"	10	F BSPP	ISO 1179-1	BSPP 3/8 FEMALE	CPV06 38 GAS F	64,5	2,54	33	1,3	24	0,94
1/2"	12,5	0/ BSPP	BS 5380	1/2 BSP FEMALE ORB	CPV080/12GAS F	66,3	2,61	38	1,5	27	1,06
1/2"	12,5	0/ BSPP	BS 5380	3/8 BSP FEMALE ORB	CPV080/38GAS F	62,3	2,45	38	1,5	27	1,06
1/2"	12,5	0/ METRIC	ISO 6149-1	M18x1,5 FEMALE ORB	CPV080/1815 F	62,3	2,45	38	1,5	27	1,06
1/2"	12,5	0/ METRIC	ISO 6149-1	M22x1,5 FEMALE ORB	CPV080/2215 F	66,3	2,61	38	1,5	27	1,06
1/2"	12,5	0/ SAE	ISO 11926-1	3/4"-16 UNF FEMALE ORB	CPV080/12SAE F	66,3	2,61	38	1,5	27	1,06
1/2"	12,5	0/ SAE	ISO 11926-1	7/8"-14 UNF FEMALE ORB	CPV080/58SAE F	62,3	2,45	38	1,5	27	1,06
1/2"	12,5	01/ METRIC	ISO 6149-2	M22x1,5 MALE	CPV081/2215 F	66,3	2,61	38	1,5	27	1,06
1/2"	12,5	01/ SAE	ISO 11926-3	3/4"-16 UNF MALE	CPV081/12SAE F	62,4	2,46	38	1,5	27	1,06
1/2"	12,5	02/ METRIC	ISO 8434-1-L	M14x1,5 MALE 8L	CPV082/1415 F	64,3	2,53	38	1,5	27	1,06
1/2"	12,5	02/ METRIC	ISO 8434-1-L	M16x1,5 MALE 10L	CPV082/1615 F	63,8	2,51	38	1,5	27	1,06
1/2"	12,5	02/ METRIC	ISO 8434-1-L	M18x1,5 MALE 12L	CPV082/1815 F	62,3	2,45	38	1,5	27	1,06
1/2"	12,5	02/ METRIC	ISO 8434-1-L	M20x1,5 MALE 12S	CPV082/2015 F	63,3	2,49	38	1,5	27	1,06
1/2"	12,5	02/ METRIC	ISO 8434-1-L	M22x1,5 MALE 15L	CPV082/2215 F	62,3	2,45	38	1,5	27	1,06
1/2"	12,5	02/ METRIC	ISO 8434-1-L	M26x1,5 MALE 18L	CPV082/2615 F	62,3	2,45	38	1,5	27	1,06
1/2"	12,5	03/ METRIC	ISO 8434-1-S	M20x1.5 MALE 12S	CPV083/2015 F	62,3	2,45	38	1,5	27	1,06
1/2"	12,5	03/ METRIC	ISO 8434-1-S	M24x1,5 MALE 16S	CPV083/2415 F	65,3	2,57	38	1,5	27	1,06
1/2"	12,5	04/ BSPP	ISO 8434-6	60° 1/2" BSPP MALE BULKHEAD	CPV084/12GAS F	87,8	3,46	38	1,5	27	1,06
1/2"	12,5	04/ BSPP	ISO 8434-6	60° 3/8" BSPP MALE BULKHEAD	CPV084/38GAS F	87,8	3,46	38	1,5	27	1,06
1/2"	12,5	05/ METRIC	ISO 8434-1-L	M16x1,5 MALE BULKHEAD 10L	CPV085/1615 F	86,3	3,4	38	1,5	27	1,06
1/2"	12,5	05/ METRIC	ISO 8434-1-L	M18x1,5 MALE BULKHEAD 12L	CPV085/1815 F	86,3	3,4	38	1,5	27	1,06



CPV



Size		Thread details			FEMALE						
inch	mm	Thread Type	Standard	Thread	Part Number	L (L1 + Thread)		D1		HEX1	
						mm	inch	mm	inch	mm	inch
1/2"	12,5	05/ METRIC	ISO 8434-1-L	M22x1,5 MALE BULKHEAD 15L	CPV085/2215 F	86,3	3,4	38	1,5	27	1,06
1/2"	12,5	06/ METRIC	ISO 8434-1-S	M20x1.5 MALE BULKHEAD 12S	CPV086/2015 F	86,3	3,4	40	1,57	27	1,06
1/2"	12,5	07/ METRIC	ISO 8434-1-L	M16x1,5 MALE BULKHEAD SHORT 10L	CPV087/1615 F	78,8	3,1	38	1,5	27	1,06
1/2"	12,5	07/ METRIC	ISO 8434-1-L	M18x1.5 MALE BULKHEAD SHORT 12L	CPV087/1815 F	77,3	3,04	38	1,5	27	1,06
1/2"	12,5	07/ METRIC	ISO 8434-1-L	M22x1.5 MALE BULKHEAD SHORT 15L	CPV087/2215 F	77,3	3,04	38	1,5	27	1,06
1/2"	12,5	07/ METRIC	ISO 8434-1-L	M26x1.5 MALE BULKHEAD SHORT 18L	CPV087/2615 F	90,8	3,57	40	1,57	30	1,18
1/2"	12,5	11/ SAE	ISO 8434-3	13/16"-16 UN MALE ORFS	CPV0811/12SAEF	64,1	2,52	38	1,5	27	1,06
1/2"	12,5	12/ SAE	ISO 8434-3	1"-14 UNS MALE BULKHEAD ORFS	CPV0812/58SAEF	96	3,78	38	1,5	34	1,34
1/2"	12,5	12/ SAE	ISO 8434-3	13/16"-16 UN MALE BULKHEAD ORFS	CPV0812/12SAEF	85,8	3,38	38	1,5	27	1,06
1/2"	12,5	14/ SAE	ISO 8434-2	3/4"-16 UN MALE BULKHEAD JIC	CPV0814/12SAEF	87,9	3,46	38	1,5	27	1,06
1/2"	12,5	16/ BSPP	ISO 8434-6	60° 1/2 BSPP MALE	CPV0816/12GASF	65	2,56	38	1,5	27	1,06
1/2"	12,5	16/ METRIC	ISO 8434-6	60° 18x1,5 METRIC MALE	CPV0816/1815 F	65,3	2,57	38	1,5	27	1,06
1/2"	12,5	F BSPP	ISO 1179-1	BSPP 3/8 FEMALE	CPV08 38 GAS F	62,3	2,45	30	1,18	27	1,06
1/2"	12,5	F METRIC	ISO 9974-1	M22x1,5 FEMALE	CPV08 2215 F	66	2,6	38	1,5	27	1,06
1"	25	0/ BSPP	BS 5380	1 BSP FEMALE ORB	CPV160/1GAS F	100,3	3,95	54	2,13	42	1,65
1"	25	0/ BSPP	BS 5380	3/4 BSP FEMALE ORB	CPV160/34GAS F	97,3	3,83	54	2,13	38	1,5
1"	25	0/ SAE	ISO 11926-1	1-5/16"-12 UN FEMALE ORB	CPV16 1SAE F	100,3	3,95	54	2,13	42	1,65
1"	25	02/ METRIC	ISO 8434-1-L	M26x1,5 MALE 18L	CPV162/2615 F	96,3	3,79	54	2,13	38	1,5
1"	25	02/ METRIC	ISO 8434-1-L	M30x2 MALE 22L	CPV162/302 F	96,8	3,81	54	2,13	38	1,5
1"	25	03/ METRIC	ISO 8434-1-S	M30x2 MALE 20S	CPV163/302 F	100,3	3,95	54	2,13	38	1,5
1"	25	05/ METRIC	ISO 8434-1-L	M26x1,5 MALE BULKHEAD 18L	CPV165/2615 F	124,3	4,89	54	2,13	38	1,5
1"	25	05/ METRIC	ISO 8434-1-L	M30x2 MALE BULKHEAD 22L	CPV165/302 F	116,8	4,6	54	2,13	41	1,61
1"	25	05/ METRIC	ISO 8434-1-L	M36x2 MALE BULKHEAD 28L	CPV165/362 F	113,8	4,48	54	2,13	42	1,65
1"	25	F BSPP	ISO 1179-1	BSPP 1 FEMALE	CPV16 1GAS F	102,3	4,03	54	2,13	42	1,65
1"	25	F BSPP	ISO 1179-1	BSPP 3/4 FEMALE	CPV16 34GAS F	97,3	3,83	54	2,13	38	1,5




CPV Accessories



PVC Plugs suitable for FEMALE



PVC Plugs suitable for FEMALE

Size			Plug Details		Size			Plug Details	
inch	mm	dash	Part number	Colour	inch	mm	dash	Part number	Colour
3/8"	10	06	TMA 38	yellow	1/2"	12,5	08	TM 12-38	blue
3/8"	10	06	TMA 38 A	orange	1/2"	12,5	08	TM 12-38 G	yellow
3/8"	10	06	TMA 38 B	blue	1/2"	12,5	08	TM 12-38 GR	grey
3/8"	10	06	TMA 38 N	black	1/2"	12,5	08	TM 12-38 M	brown
3/8"	10	06	TMA 38 R	red	1/2"	12,5	08	TM 12-38 N	black
3/8"	10	06	TMA 38 V	green	1/2"	12,5	08	TM 12-38 R	red
1/2"	12,5	08	TM 12 L	blue	1/2"	12,5	08	TM 12-38 V	green
1/2"	12,5	08	TM 12 L/A	orange	 <p>Aluminium plugs suitable for FEMALE</p>				
1/2"	12,5	08	TM 12 L/G	yellow					
1/2"	12,5	08	TM 12 L/M	brown					
1/2"	12,5	08	TM 12 L/N	black					
1/2"	12,5	08	TM 12 L/R	red					
1/2"	12,5	08	TM 12 L/V	green					
1"	25	16	TMA 1	yellow	Size			Plug Details	
1"	25	16	TMA 1 N	black	inch	mm	dash	Part number	Colour
1"	25	16	TMA 1 R	red	1/2"	12,5	08	TM 12 S	

Seal Kits



For Female

Size			Seal Details	
inch	mm	dash	Material	Part Number
3/8"	10	06	NBR; PTFE	SK ANV 38
1/2"	12,5	08	NBR; PTFE	SK NV 12
1"	25	16	NBR; PTFE	SK ANV 1

Every seals kit is composed of 5 or 10 pcs.